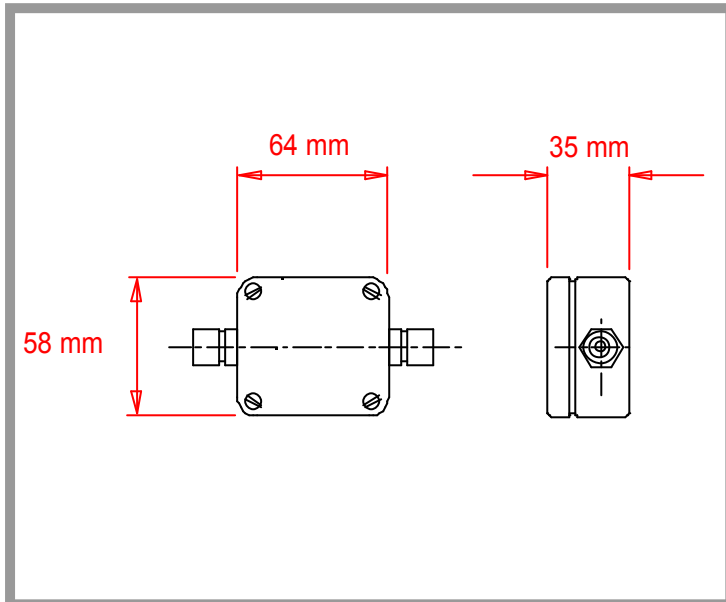


AL7539 AMPLIFIER



Description

The AL7539 is a conditioning amplifier PCB assembly for use with strain gauge bridge transducers.

Designed to mount in a specific IP65 sealed diecast box and powered from an external dc supply, it provides stabilised dc excitation to the bridge and generates an output of 3-wire 4-20mA, 0-10Volts, 0-5V or 2.5-7.5V.

When powered by a bipolar supply, the voltage outputs can also be bipolar.

AL7539 has reversed supply protection, 25 turn Zero and Span controls, two hole fixing and screw terminal connections.

■ Diecast Housing

■ High Accuracy

■ Various Outputs

- 1.....4-20mA
- 2.....0-10Vdc
- 3.....+/-10Vdc

Specification

Power Supply:-0/12-24V dc for 3 wire current
or unipolar voltage o/p.
or +/-12V to +/-15V voltage o/p
and 3 wire current o/p.

Bridge Excitation :- 10V dc stabilised (nom)

Bridge Resistance :- 87 Ohms minimum

Bridge Sensitivity :-0.3 to 3mV/V
EMI :-Input RF suppression

Output 1 :-4-20mA

Maximum Output :-<30mA
Current

Available Load Voltage:-Vsupply - 9V

Output 2 :-0-5V, 0+/-5V, 0-10V,
0+/-10V and 2.5-7.5V.

Adjustments :-Zero; 25 turn pot
:-Span; 25 turn pot
Zero Temp.coeff :-0.3 microVolt/degree C

Span Temp. coeff :-< 0.01%/degree C

Linearity Error :- < 0.01% FS

Connections :-Screw Terminals

	NOVA TESTINGS PTE LTD
	38 Woodlands Industrial Park E1 #03-12 Singapore 757700
	Tel : (65) 6561 1002 Tel : (65) 6561 1006 Fax : 6561 2003
	E-mail : sales@novatestings.com www.novatestings.com