

Model PT100SA

LOAD CELL SURGE ARRESTOR



Protection for your sophisticated measurement electronics is a must.

The PT100SA has been specially designed to work with all the load cells and indicators in the PT range.

Housed in a tough polycarbonate enclosure and sealed via an elastomer gasket, the PT100SA is the choice for protection from various induced power surges.

The device is of a passive solid-state design requiring no power and is capable of sustaining multiple surges.

It requires no maintenance and is small enough to fit into even the most space restricted installations.

The unit is supplied as standard with a weather-tight enclosure.

FEATURES

- Protects load cells from various induced power surges
- Solid state passive device
- Requires no power, automatic reset
- Mounted in weather-tight enclosure

Specifications

Breakdown Voltage	90V \pm 20%	Response Time	<0.2 μ s
Recovery Voltage	60V	Enclosure	Polycarbonate
Peak Current	5000A	Net Weight	0.175kg
Insulation Resistance	10,000 M Ω		



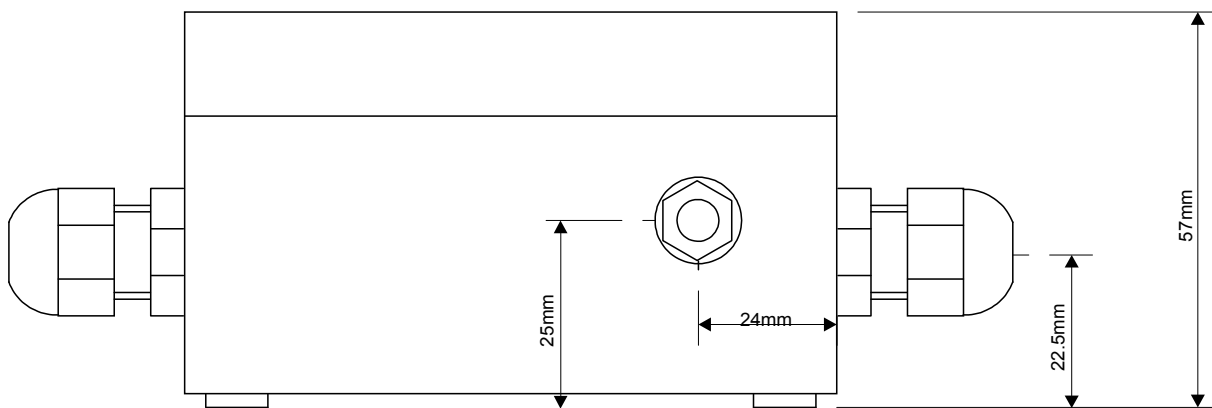
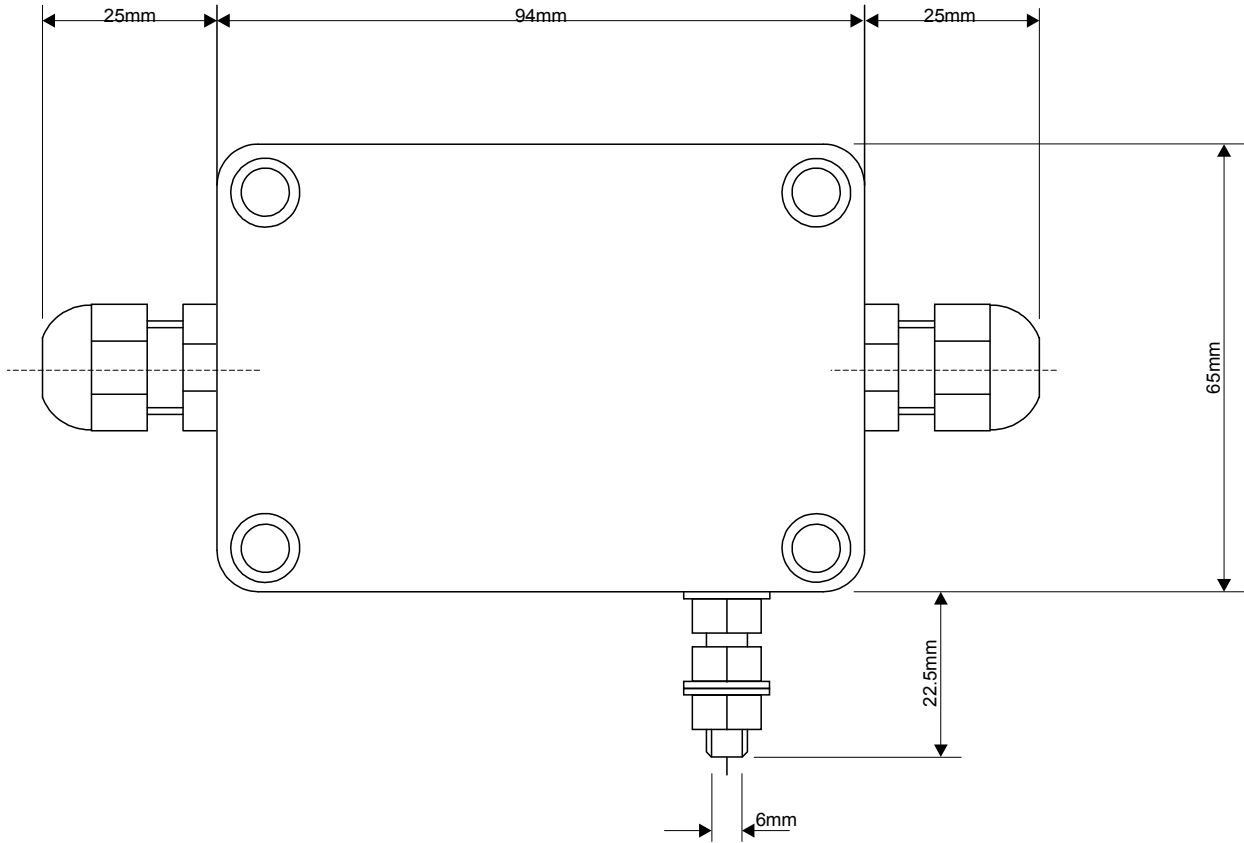
Manufactured in New Zealand

NOVA TESTINGS PTE LTD
www.novatestings.com

Ordering Information

Detailed dimension drawings for the accessories are available at our web site.

MODEL	Part Number
PT100SA Surge Arrestor	EP100SA0000XXX



PT Cable Colour Code

Excitation	+ve	Red
Sense	+ve	Brown
Excitation	-ve	Black
Sense	-ve	Blue
Signal	+ve	Green
Signal	-ve	White

NOTE: Glands accommodate cable size 3.5mm ~ 8mm