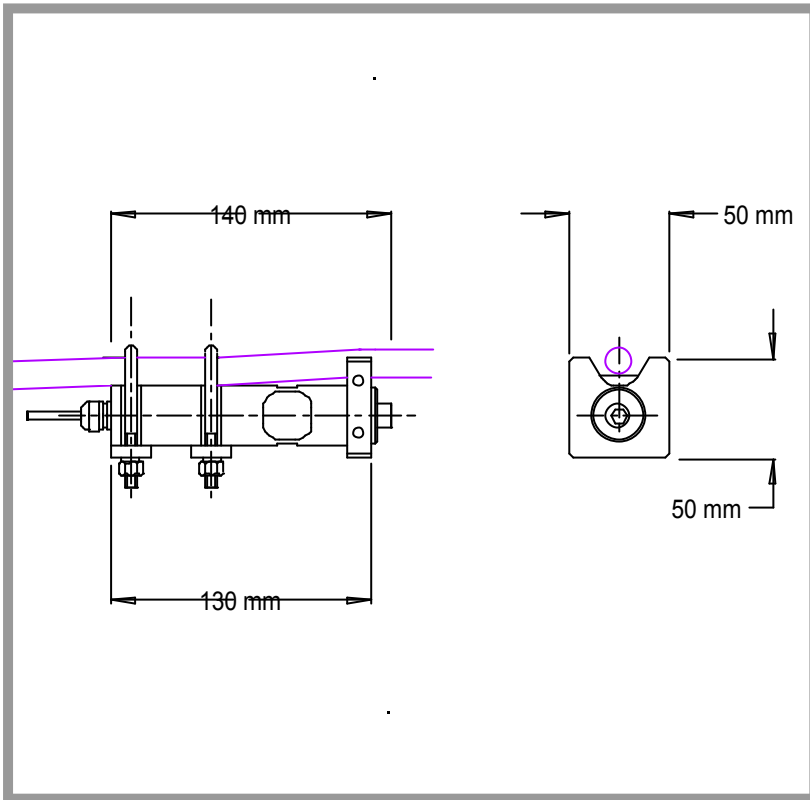


U-bolt

Rope
Tension



■ **Stainless Steel**

■ **Accurate**

■ **Rugged**

Description

The U-BOLT clamp-on load cells are designed for measuring tensile loads in steel wire rope. The range is from 10mm to 24mm, with the larger capacities being custom built. Manufactured from a standard high strength stainless steel. This load cell is used in permanent rope tension applications, particularly in rugged and harsh conditions. It can be used at the dead end of a rope for a winch or crane.

Specification

ELECTRICAL

Recommended Excitation	10 Vdc.
Maximum Excitation	15 Vdc.
Output at rated load	2 mV/V
Zero balance	5% of RL
Input impedance	350+/-20
Output impedance	350+/- 3
Insulation	>10 ⁹
Compensated temp. range	10 to 40°C
Safe temp. range	-30 to 70°C

MECHANICAL

Safe Overload	150% of RL
Ultimate Overload	300% of RL
Deflection	<0.5 mm
Cable type	4-Cscreened
Cable length	3M
Sealing	IP67

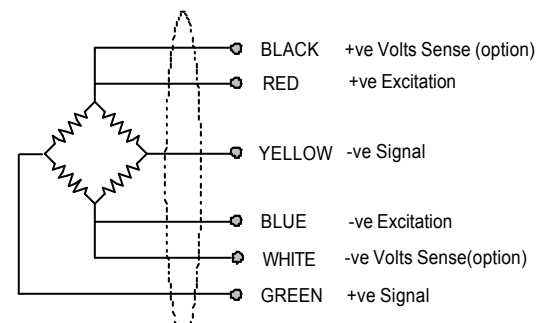
Accuracy

Non linearity & hysteresis	5.00%
Non repeatability	0.50%
Zero return (after 30 minutes)	0.04%
Temp. Effect/10 °C on zero	0.10%
Temp effect / 10 °C on span	0.10%

NOTE:- Maximum errors (+/-) are expressed as a percentage of rated load (when measured at 10Vdc excitation).

The linearity and hysteresis is the maximum deviation from a straight line drawn between the no load and the rated load outputs for both increasing and decreasing loads.

Accuracy classes apply when active ranges (live weight) is within 20 to 100% of rated load.



NOVA TESTINGS PTE LTD

38 Woodlands Industrial Park E1 #03-12 Singapore 757700
Tel : (65) 6561 1002 Tel : (65) 6561 1006 Fax : 6561 2003

E-mail : sales@novatestings.com
www.novatestings.com